

# Aluminium furniture systems



**IDEAS BRING ROOMS TO LIFE**

**BE BOLD!** Combinations that take your fancy · **THAT'S SMART**

Multifunctional shelving systems · **PLEASING TO THE TOUCH** Handle systems for every style



# Ideas bring rooms to life.

**Our lifestyles are changing.** Today's lifestyles are characterised by flexibility, different ways of thinking, playing with new ideas, and spontaneity. This is accompanied by the awareness of true values such as quality, sustainability and focusing on the essentials.

**Our living spaces are changing.** In the mornings, it's a place to work; at lunch, it's a place to eat. Today a living room, tomorrow a home office. The kitchen has become the centre point for our daily lives, while even the bathroom is taking on a new importance, becoming a place to relax.

**Our working environments are changing.** Coworking spaces encourage teamwork and wellbeing at work. Sofas and cafeterias are making their way into offices.

All these changes are setting new benchmarks for furniture – the more flexible, the better. With its endless application and combination options, Schüco Openstyle, for example, focuses on these new values of transparency, openness and spontaneity. Then there's Schüco Smartcube, a truly unique shelving system in terms of flexibility. The product concept is both simple and complex, as are the stand systems which bear the weight of every table and piece of furniture. Be inspired by the countless possibilities for designing your individual space!

Your Schüco Alu Competence team

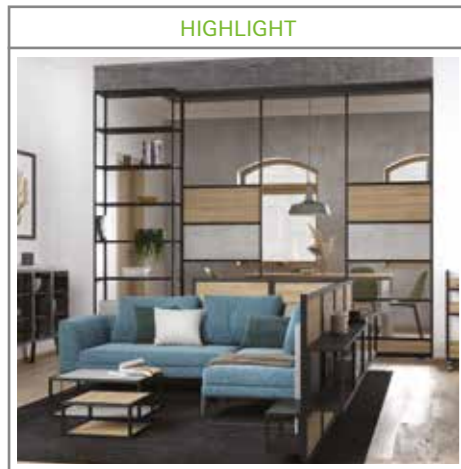


# Contents

## Room design system

6

Schüco Openstyle room design system



## Sliding door system

12

MST sliding door system

14

MST handle profiles, frame profiles and guide tracks

16

MST accessories

16

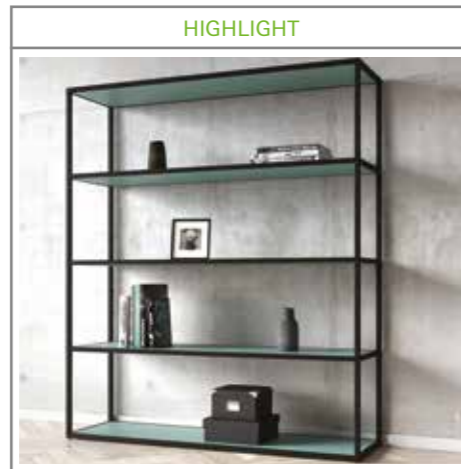
MST floor tracks



## Shelf systems

18

Schüco Smartcube shelving system



22

Schüco Smartframe shelving system

24

Schüco Illumacube shelving system



## Stand systems

26

Schüco Cone stand system

28

Schüco Frame stand system

30

Schüco Stair furniture leg

30

Plinth system

## Handle systems

32

Schüco Divaro design cover



34

Pull grips



38

Concealed pull grips

38

Handle recess

40

Flush pull grips



## Frame systems

42

Glass frame systems



44

Glass frame profiles – bonded panes

44

Edge and front frame profiles

## Midway and wall systems

46

Schüco Kreativo wall system

48

Midway system 16

50

Midway system 4-18

50

Panel system

52

Schüco Groove hanging rail

52

Schüco Groove wall attachment profile

54

Accessories for midway and wall systems



## System components

56

Schüco Spaceline drawer organiser



58

Schüco Tara storage recess



60

Lighting profile

60

CD and DVD rack

62

Connecting profiles for worktops

62

Carcase corner cleat profiles

64

Ventilation grille

64

Roller shutter systems



# Schüco Openstyle room design system

The new open-plan



Our living spaces are demanding more and more flexibility and multifunctionality. Living spaces grow together, merge into one, while walls disappear or dissolve into glass areas. With its light, slender architecture, Schüco Openstyle offers a range of options for the flexible design of open-plan spaces. Timeless design and high stability connect and separate living areas.

Thorsten Rosenstengel, byform produktdesign



## What does inspiration mean?

Something new, unusual or creative. Focusing on the essentials. Bringing form and function together in harmony. Schüco Openstyle is the perfect product for creative, individual room design. The system is flexible, light, transparent and can be used anywhere, providing endless inspiration for new lifestyles and interior designs.



# Schüco Openstyle room design system

## Combinations that take your fancy

Schüco Openstyle works in any living space. In the kitchen, it's a practical midway system or it separates the utility room, while in the bathroom it can partition the shower area, or provide attractive screening in a dressing room. The range of designs and number of accessories make for countless combinations, free design and customised use.



### Benefits

- High design variety
- Flexible use
- Designed for 16 and 19 mm panel material
- Can be used as a fixed or moving unit
- Custom division with bars is possible

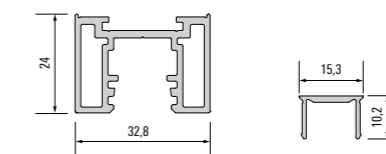


# Schüco Openstyle room design system

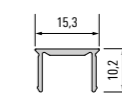
Functional flair



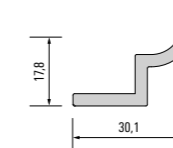
## Schüco Openstyle room design system



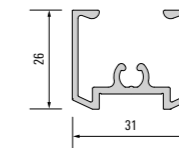
928 183  
Handle



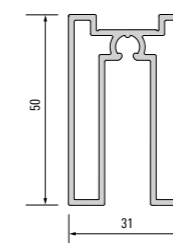
928 184  
Cover strip



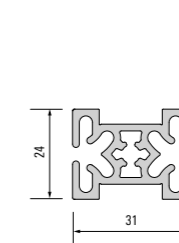
928 185  
Mounting rail



928 186  
Frame, top / bottom



928 187  
Frame under roller fitting



928 188  
Bar



One concept, countless possibilities. The basic components of Schüco Openstyle are compatible with the Schüco Alu Competence sliding door system and open up countless possible uses. The system provides everything a contemporary office needs, with maximum functionality and a comfortable working environment.

The office is the new living room



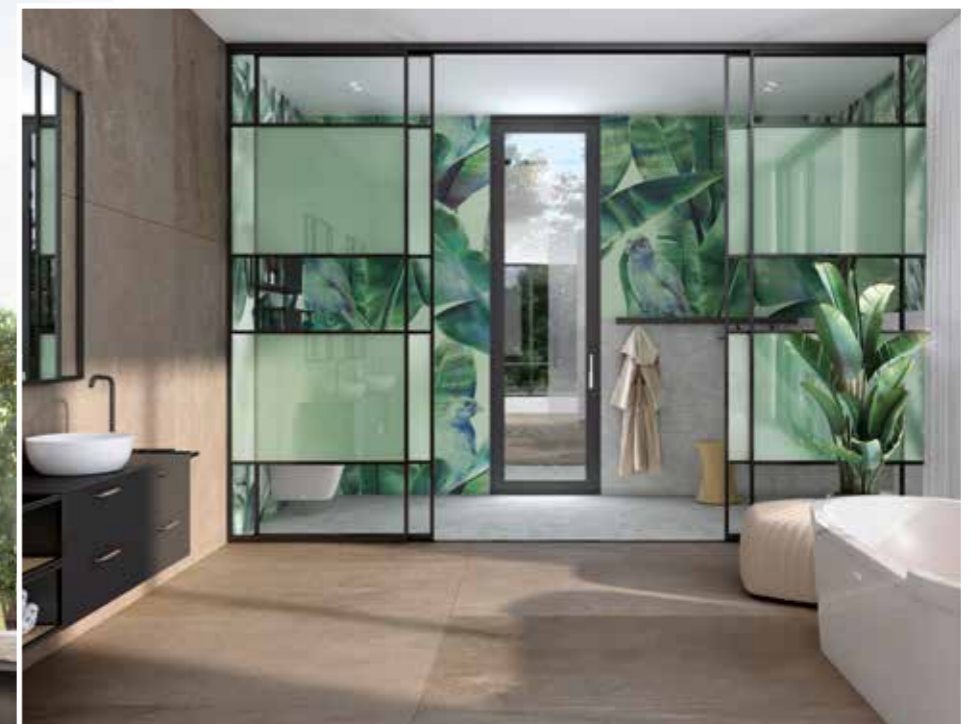


# MST sliding door system

Just keeps running ... and running ... and running



Suddenly a new room is created



The sliding door system operates with barely a sound as it divides up spaces, creates new rooms or is fitted to wardrobes – whatever your lifestyle requires. It can be used in alcoves and sloping areas. The infills can be customised, with or without bars.

# MST handle profiles, frame profiles and guide tracks

Perfect in every respect



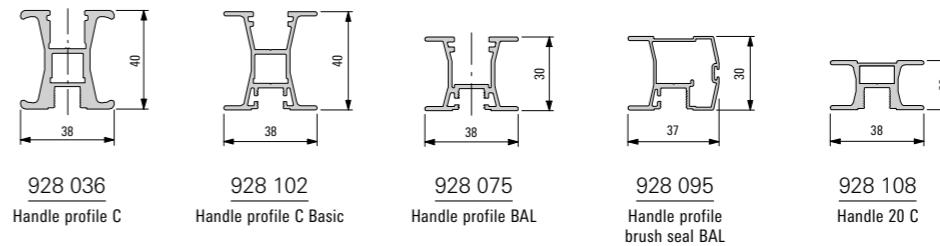
The handle and frame profiles complete the outstanding quality of the sliding door system, with technical perfection in an elegant design. Doors run along the guide tracks softly and almost noiselessly.

**Benefits**

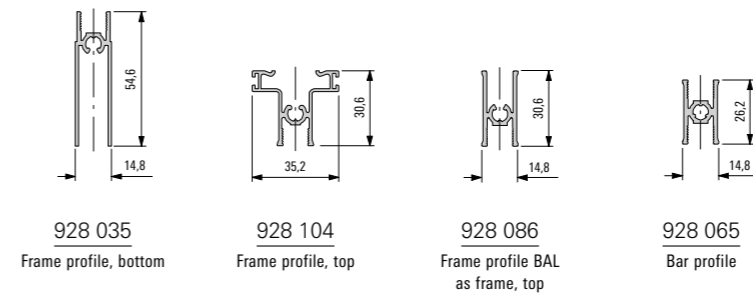
- Smooth operation due to the top guide rollers
- Quiet operation thanks to self-centring track guide
- Possible door sizes of 2.00 m x 3.00 m (W x H)
- Possible door weights up to 100 kg
- System can be extended as required



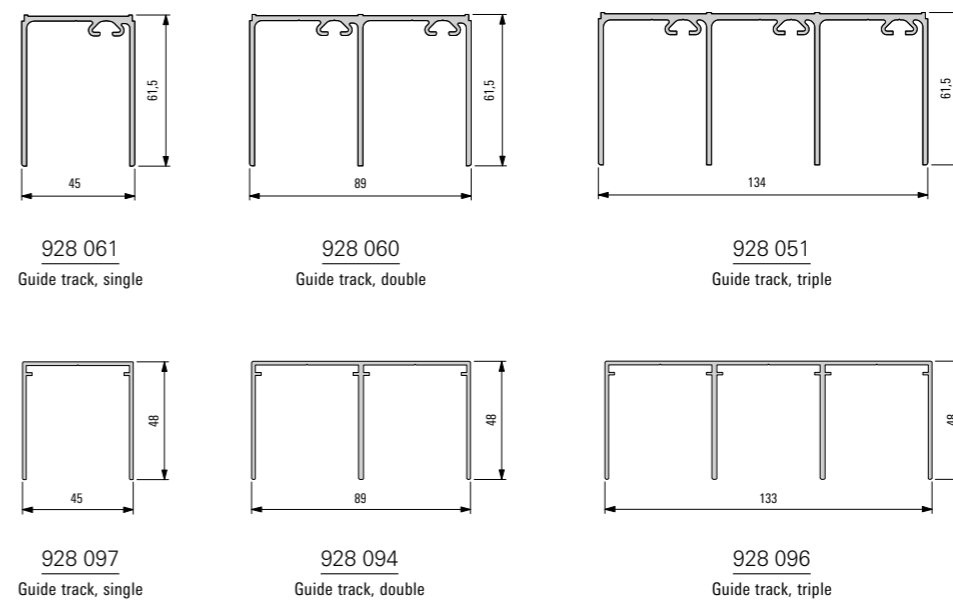
**MST handle profiles**



**MST frame and bar profiles**



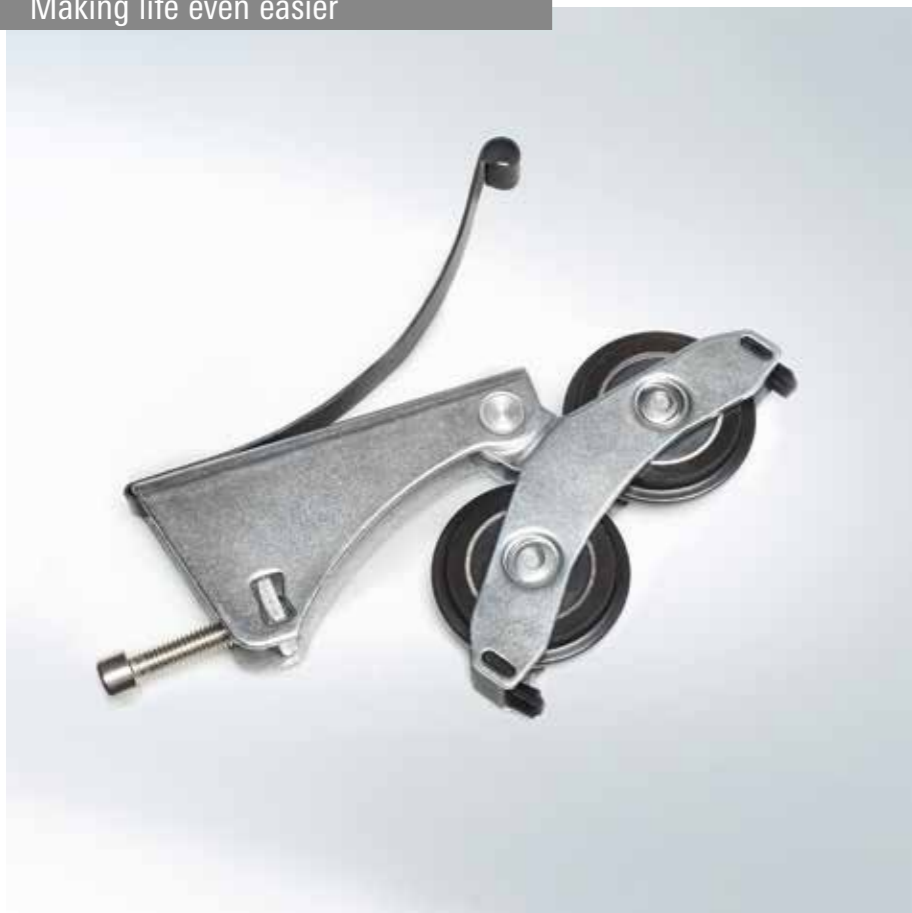
**MST guide tracks**





# MST accessories

Making life even easier




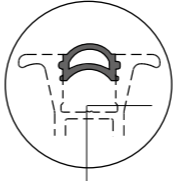
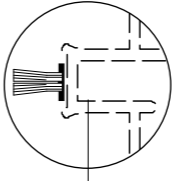
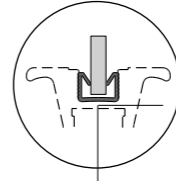
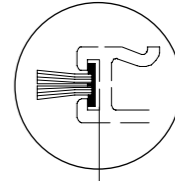


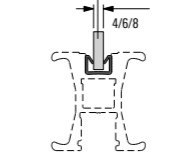
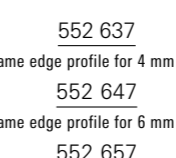


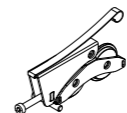
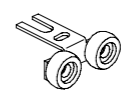
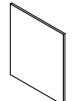
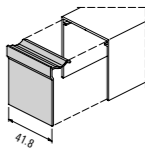
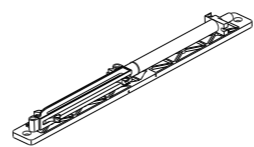
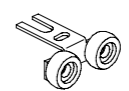
Brush seal carrier in the guide track protects against dirt and dust.

Roller carriage in the guide track – higher load-bearing capacity and smooth operation.

Rebate gasket – shock absorber for the rebate on the frame profile.

Soft closer – can be used for door widths from 540 mm (from 930 mm on both sides). It slows down the door, draws it in and holds it in position.

## MST accessories

 551 207 Rebate gasket	 552 617 Rebate gasket	 552 457 Gasket for profile 928 084	 552 637 Infill frame edge profile for 4 mm thickness	 552 447 Brush seal carrier for profile 928 104, 928 095, 928 101	
 170 111 Schüco sticker			 552 647 Infill frame edge profile for 6 mm thickness		
			 552 657 Infill frame edge profile for 8 mm thickness		
 552 697 End stop in guide track	 552 074 End stop in track	 552 529 Roller carriage	 552 899 Guide rollers	 552 900 / 552 920 552 930 Cover plate for 61 mm guide track	 928 099 Cover plate for 48 mm guide track
 552 669.01/02 Class I: 10-20 kg 552 679.01/02 Class II: 20-40 kg 552 699.01/02 Class III: 40-60 kg 552 689.01/02 Class IV: 60-100 kg Soft closer for 61 mm guide track, left/right, including pilot pin			 552 669.03 Class I: 10-20 kg 552 679.03 Class II: 20-40 kg 552 699.03 Class III: 40-60 kg 552 689.03 Class IV: 60-100 kg Soft closer for 48 mm guide tracks		

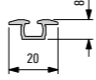
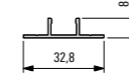
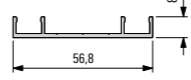
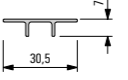

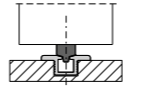
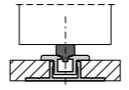
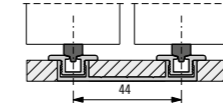

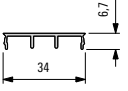
# MST floor track

Unobtrusive style

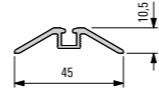
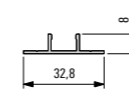
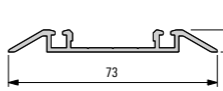
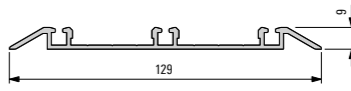
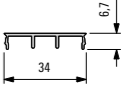
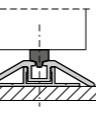

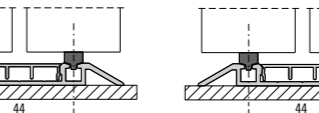
The discreet floor tracks are available as an embedded or surface-mounted version. The right choice depends on the type of floor covering. The surface-mounted track with flush design is perfect for stone and timber floors, as it has a surface area of just 4.5 mm. With multiple tracks, discreet joint covers or the respective flooring conceal any areas of unevenness at the cut edges of the flooring.



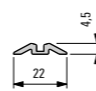
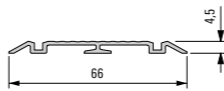
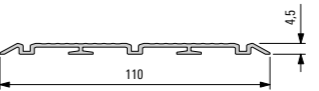
## Embedded floor tracks, with joint cover

 928 041 Track for floor rails	 928 045 Floor rail, single-track	 928 048 Floor rail, double-track	 928 098 Cover	
 928 047 Track for floor rail 928 045	 928 045 Floor rail, single-track	 928 046 Track, double-track	 928 053 Track, triple-track	 928 044 Cover profile for tracks

## Surface-mounted floor tracks

 928 047 Track for floor rail 928 045	 928 045 Floor rail, single-track	 928 046 Track, double-track	 928 053 Track, triple-track	 928 044 Cover profile for tracks
 928 059* Track, single-track, flush, for bonding	 928 063* Track, double-track, flush, for bonding	 928 093* Track, triple-track, flush, for bonding	*No end stop possible	

## Surface-mounted floor tracks, flush design

 928 059* Track, single-track, flush, for bonding	 928 063* Track, double-track, flush, for bonding	 928 093* Track, triple-track, flush, for bonding	*No end stop possible
--	--	--	-----------------------

# Schüco Smartcube shelving system

Much more than just a shape



A small, smart cube which offers plenty of creative freedom – cubes can be placed next to each other, on top of one another, on the wall, integrated in existing furniture or simply surface mounted. Schüco Smartcube works well anywhere – in the office, living room and kitchen, or wherever it is needed.



With an extremely wide range of possible uses, Schüco Smartcube can define an entire room design and add visual highlights – elegantly on the wall, integrated in the kitchen, and as single pieces of furniture such as a free-standing shelf or coffee table. The possibilities are endless.



Products and systems with wonderful use of materials are presented at raumprobe, the largest exhibition for construction products and new materials, in their own "miraculous materials" section. For these new spaces, we were looking for a system which can showcase the range of different materials in a grand frame. The requirements were varied: flexibility and a large number of configuration options, a slimline look and high stability. The system is designed as a space-defining structure and should not be too obtrusive (as it is supposed to frame the exhibits and not steal the show). There were also requirements for smart functions such as integrated lighting, sliding units and storage. We struck gold with Schüco Smartcube, which promised to fulfil everything we were looking for. When we were setting up, we were also impressed by the precision and perfect preconfiguration. We now have a new display shelf to showcase our materials, the simplicity of which impresses both us and our visitors. The Smartcube has quickly become a real talking point.

Hannes Bäuerle, raumprobe





# Schüco Smartcube shelving system

One for all



Smartcube  
is everywhere

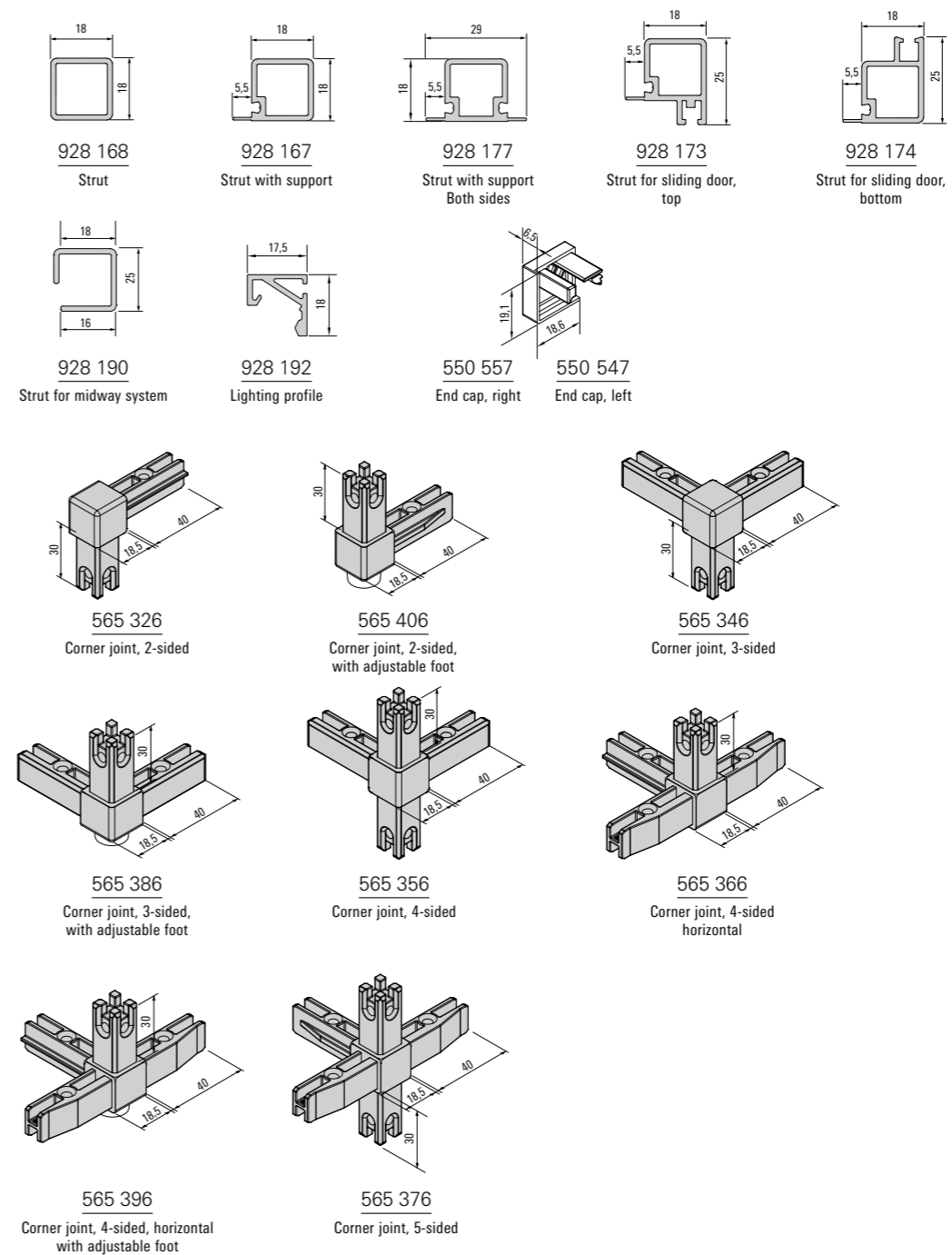
A sophisticated product concept lays the foundations for an unbeatable system which is unrivalled in terms of its flexibility – so simple yet so complex.

### Benefits

- Modular, flexible use
- Available in stainless steel and anodised black
- Side parts are pre-assembled
- Simple handling by means of packed sets
- Wide selection of corner cleats means the maximum number of options are possible
- Versatile accessories available



## Schüco Smartcube shelving system



# Schüco Smartframe shelving system

Combination is key

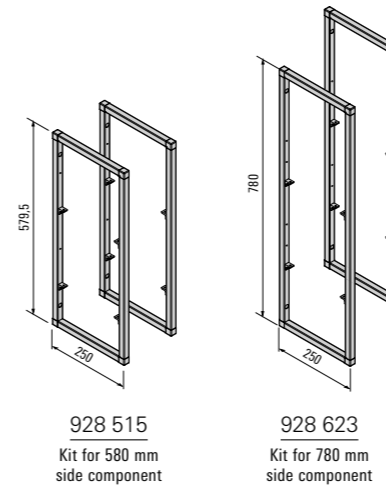
Ideas are welcome. Schüco Smartframe provides the framework for endless possibilities for use and arrangements. The basic structure is made up of elegant aluminium frames that are available in two sizes and which support the shelves.

**Benefits**

- Modular, flexible use
- Available in stainless steel and anodised black
- Multiple kits can be combined



## Schüco Smartframe shelving system





# Schüco Illumacube shelving system

Light in its most beautiful form

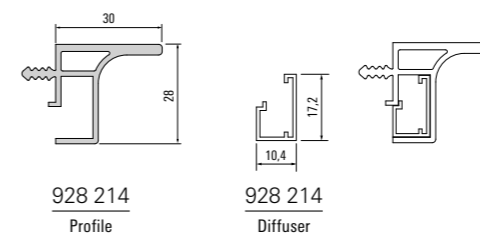


We want to showcase our personalities through the things we love – especially during these times when we are mostly at home. We like to show favourite pieces, items with personal value, and things that are important to us. With Illumacube, Schüco sets the stage for these open areas with continuous lighting in front of the carcass. The kitchen becomes a personal, inviting space, while the hidden lighting creates atmosphere, for easy living.

Kristina Meyer, byform produktdesign



## Schüco Illumacube shelving system



### Benefits

- Frame is mounted in front of a carcass as a unit
- Just one cable outlet
- Integrated power supply via the corner joint
- Light output not immediately visible



Schüco Illumacube showcases a piece of furniture, turns a cabinet into a stage, and adds ambience to a room. A frame with continuous light profile is mounted on a carcass as a unit to create ambient spaces with indirect lighting. Power is supplied via the corner cleats with just one cable outlet. This adds a homely touch to the kitchen, highlights design features in the bathroom, illuminates shelves with indirect lighting, and turns ornaments in a display cabinet into showpieces.

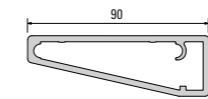
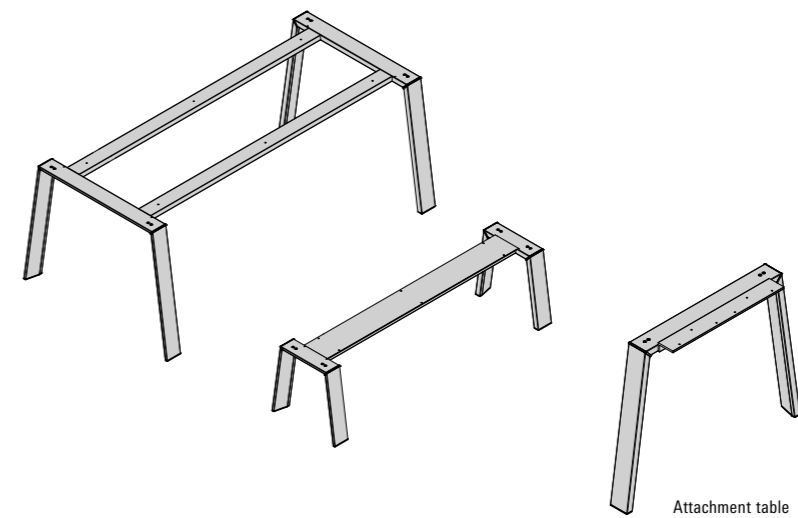
# Schüco Cone stand system

Slender yet robust

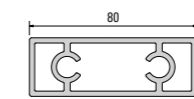


The striking front view contrasted with the slim profile face width are what set the Schüco Cone stand system apart. Visual presence meets effortless – something which is also clear in the combination of table and bench.

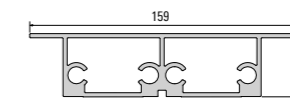
## Schüco Cone stand system



911 047  
Stand leg



911 048  
Rectangular cross beam



911 049  
Cross beam

### Benefits

- High-quality stand system
- Concealed connections
- Can be a table, bench and sideboard substructure or attachment table
- Easy to assemble





# Schüco Frame stand system

Sophisticated straight lines



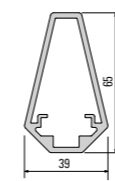
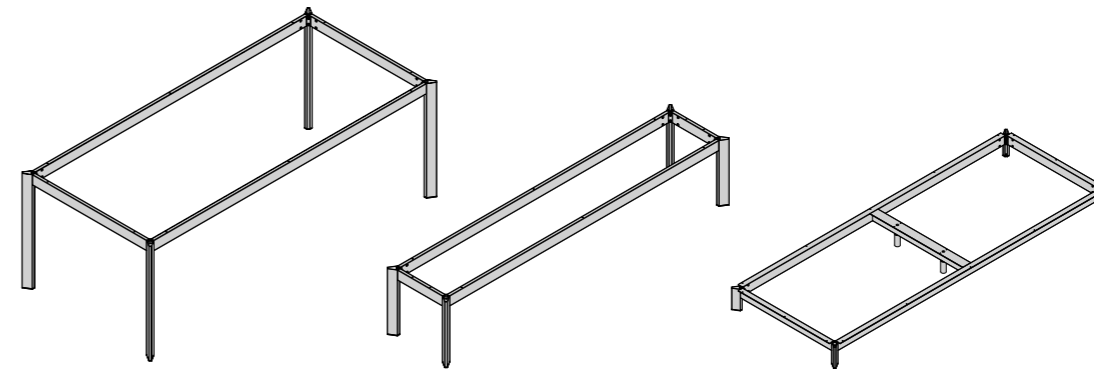
Endlessly flexible, this system holds almost anything and can bear extremely high loads, both as a table frame or base frame underneath a sideboard or kitchen unit. With its consistent straight lines, Schüco Frame fits in perfectly with a linear room design, rounding off the furnishings nicely.

### Benefits

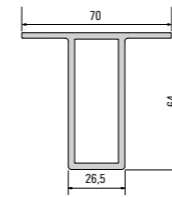
- High stability
- Clear language of form
- Can be used as a table, bench and furniture substructure or attachment table



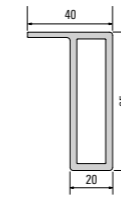
## Schüco Frame stand system



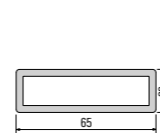
911 052  
Stand leg



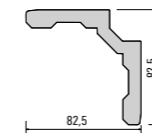
911 053  
Centre cross beam



911 054  
Base cross beam



911 051  
Cross beam



928 438  
Corner cleat



# Schüco Stair furniture leg

Elegant yet robust



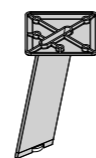
Lightness meets stability. You don't notice the robustness of Schüco Stair at first glance. It adds a complementary, slimline and elegant finish for a piece of furniture and also looks impressive as a table leg.

### Benefits

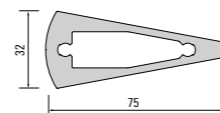
- Individual, slimline units convey a light, airy impression
- Height adjustment to level out unevenness of the ground
- Can be positioned under the piece of furniture in various ways



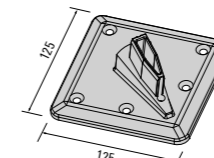
## Schüco Stair furniture leg



Kit



928 189  
Profile



565 466  
Bracket



565 457  
End cap



# Plinth system

Function on top form



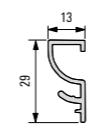
The Schüco plinth system adds an attractive finish to a kitchen. The high-quality aluminium plinth system features a high-tech appearance, with sophisticated technology that ensures optimum air circulation.

### Benefits

- High-quality aluminium design
- Variable height and length
- Easy to attach to the kitchen base feet



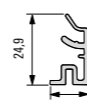
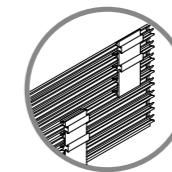
## Plinth system



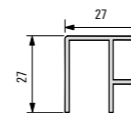
980 014  
Plinth cover, top



980 015  
Ventilation louvre blade



980 016  
Plinth cover, bottom



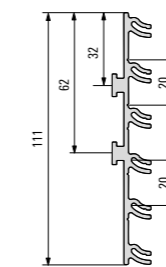
980 017  
Angled bracket



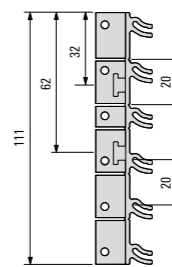
650 002  
Sealing profile



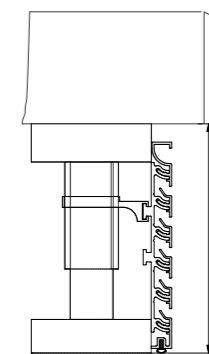
530 097  
Installation clips



530 077  
Plastic clip support



530 087  
Plastic clip support, right/left



Ventilation cross-section:  
54-490 cm<sup>2</sup>/m



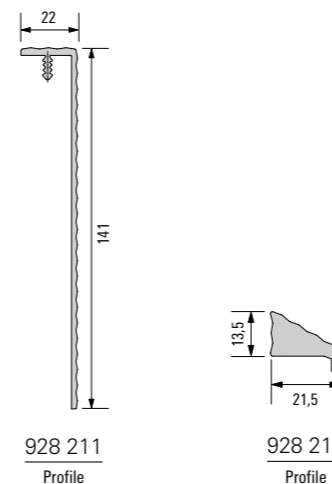


# Schüco Divaro design cover

Light and shadow



## Schüco Divaro design cover



928 211  
Profile

928 212  
Profile

### Benefits

- Elegant relief structure
- Can be arranged individually
- Integrated screw fixing for attaching a handle
- A design feature that goes far beyond the possibilities of a pull grip



The Schüco Divaro design cover opens up completely new front views and creates both a visual and tactile experience. It lifts the overall appearance of a piece of furniture and living space, adding that certain *je ne sais quoi*. Elegant aluminium, an intriguing relief structure and wide range of options come together to form this design cover. A screw fixing is located at the bottom to make it easy to attach a handle.

# Pull grips

Pleasing to the touch



Pull grips are a key feature in the overall impression of a kitchen, living room or piece of furniture. They are equally as effective as a discreet detail or striking design feature that gives the entire piece that special something.



**Details make all the difference**

**Benefits**

- Exclusive design
- Bespoke
- Anodising of individual pull grips

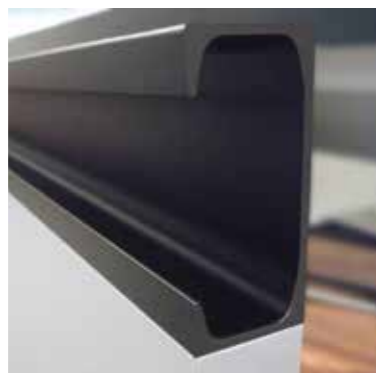


# Pull grips

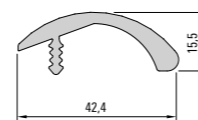
Playing with shapes



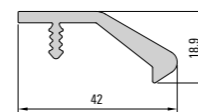
Whether straight, curved, combined with different contours or intriguing surface textures – find the perfect pull grip to suit your personal taste and style.



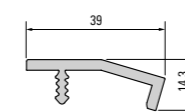
## Pull grips



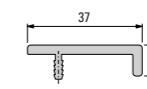
901 481  
Kanza profile



901 482  
Divido profile



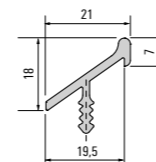
901 354  
Kontur profile



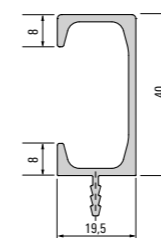
901 365\*  
Profile

Pull grip 901 365 is available from stock in silver, polished stainless steel and anodised black in packing units of 20.

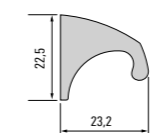
\*Made-to-measure pull grips are available as packing units in the standard lengths 295 – 1195 mm.



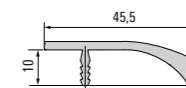
901 108  
Ladeo profile



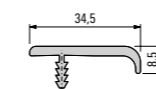
901 052  
Reta profile



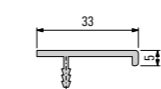
567 660  
Denza profile



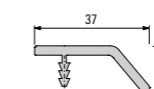
901 345  
Profile



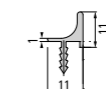
901 032  
Profile



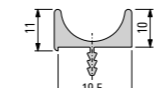
921 056  
Profile



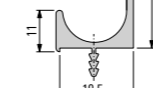
901 229  
Profile



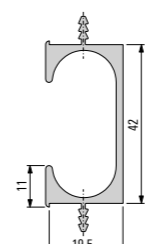
901 335  
Profile



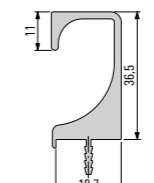
900 451  
Profile



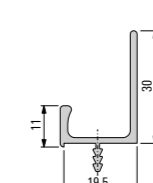
900 450  
Profile



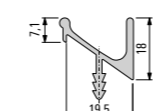
900 452  
Profile



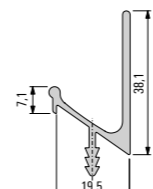
900 303  
Profile



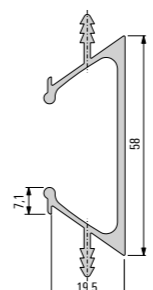
901 246  
Profile



901 232  
Profile



901 231  
Profile



901 233  
Profile



# Concealed pull grips

More than meets the eye



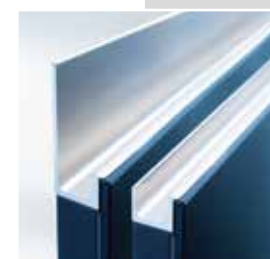
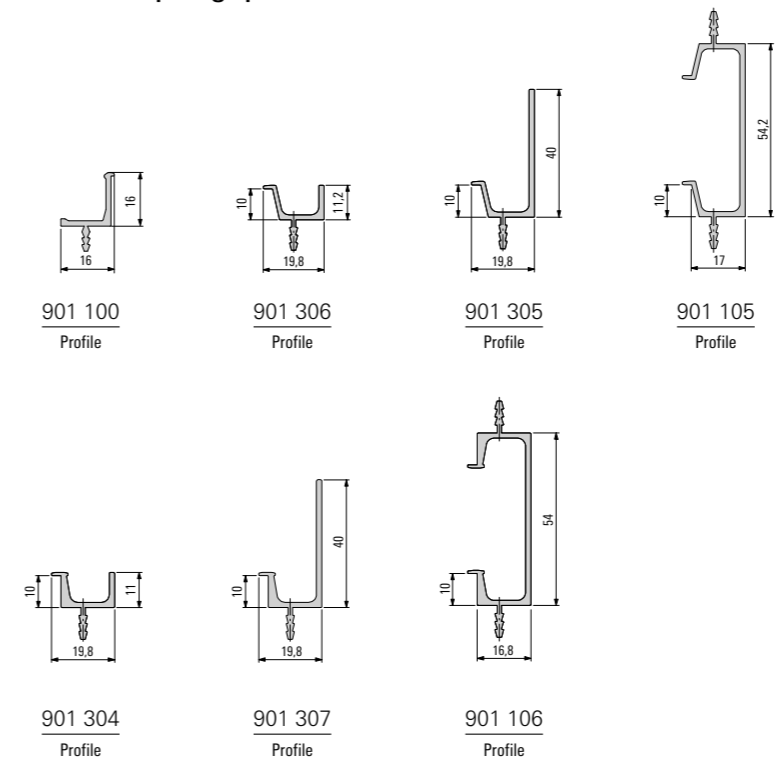
Yes to design, but with a discreet elegance. Concealed pull grips are the perfect answer to this. They maintain the flush look while their elegant profile face widths appear discreetly.

### Benefits

- Handle-free appearance
- Maximum functionality
- Straight alignment



## Concealed pull grips



# Handle recess

When less is more

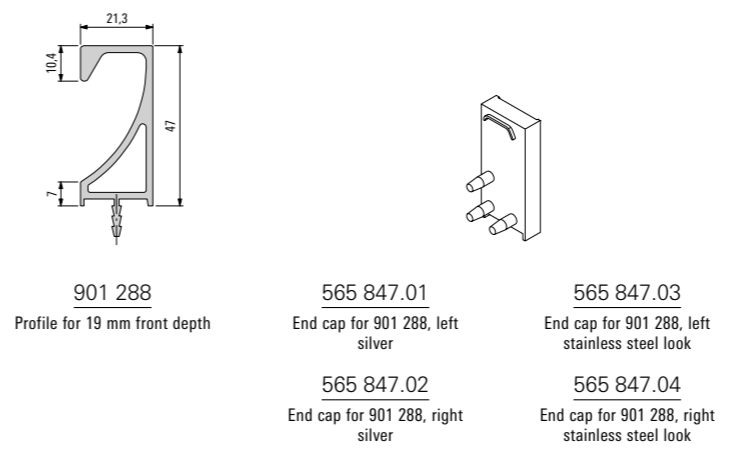
Handle recesses become one with the front panel. They make a statement while slotting in flush with the unit. They are technically perfect, with outstanding quality and ergonomics.

### Benefits

- Can be produced in any length
- End caps are simply pushed on



## Handle recess





# Flush pull grips

Looks good, feels good



With their minimalist, unembellished nature, flush pull grips are perfect for handle-free style. Technically perfect and ergonomic, they meet the need for top quality and convenience.

### Benefits

- Complete accessories in high-quality, painted design
- Profiles available for the corner carousel cabinet and integrated dishwasher
- End caps and inner and outer corners are available
- Corner chevron for 135° solutions
- LED light strip option
- Integrated cable duct



## Flush pull grips

**Horizontal orientation**

**Vertical orientation**

Profile in front of and between the side walls

901 014 Profile      901 013 Profile      901 053 Profile

901 009 Profile      901 010 Profile

921 126 Profile      901 127 Profile      901 461 Profile for corner carousel cabinet

901 462 Profile for corner carousel cabinet      928 141 Profile for integrated dishwasher      901 344 Profile

901 219 Profile for 19 mm      901 281 Profile for 16 mm

650 112 Diffusing panel, opal      985 064 Lighting profile

566 447\* End cap for 901 014 flush      566 477 End cap for 901 013 flush      566 617\* End cap for 901 014      566 607 End cap for 901 013

566 707 End cap for 901 014 overlapping      566 697 End cap for 901 013 overlapping

566 587 Corner for 901 014 inner      566 597 Corner for 901 013 inner      566 927.01 End cap for 901 126      566 737.01 End cap for 901 127 right      566 687 End cap for 901 126      566 637.01 End cap for 901 127 right      566 757.01 Corners for 901 126 inner      566 727.01 Corners for 901 127 inner

566 517 Corner for 901 014 outer      566 527 Corner for 901 014 outer      566 747.01 End cap for 901 127 left      566 637.02 End cap for 901 127 left      566 767.01 Corners for 901 126 outer      566 717.01 Corners for 901 127 outer

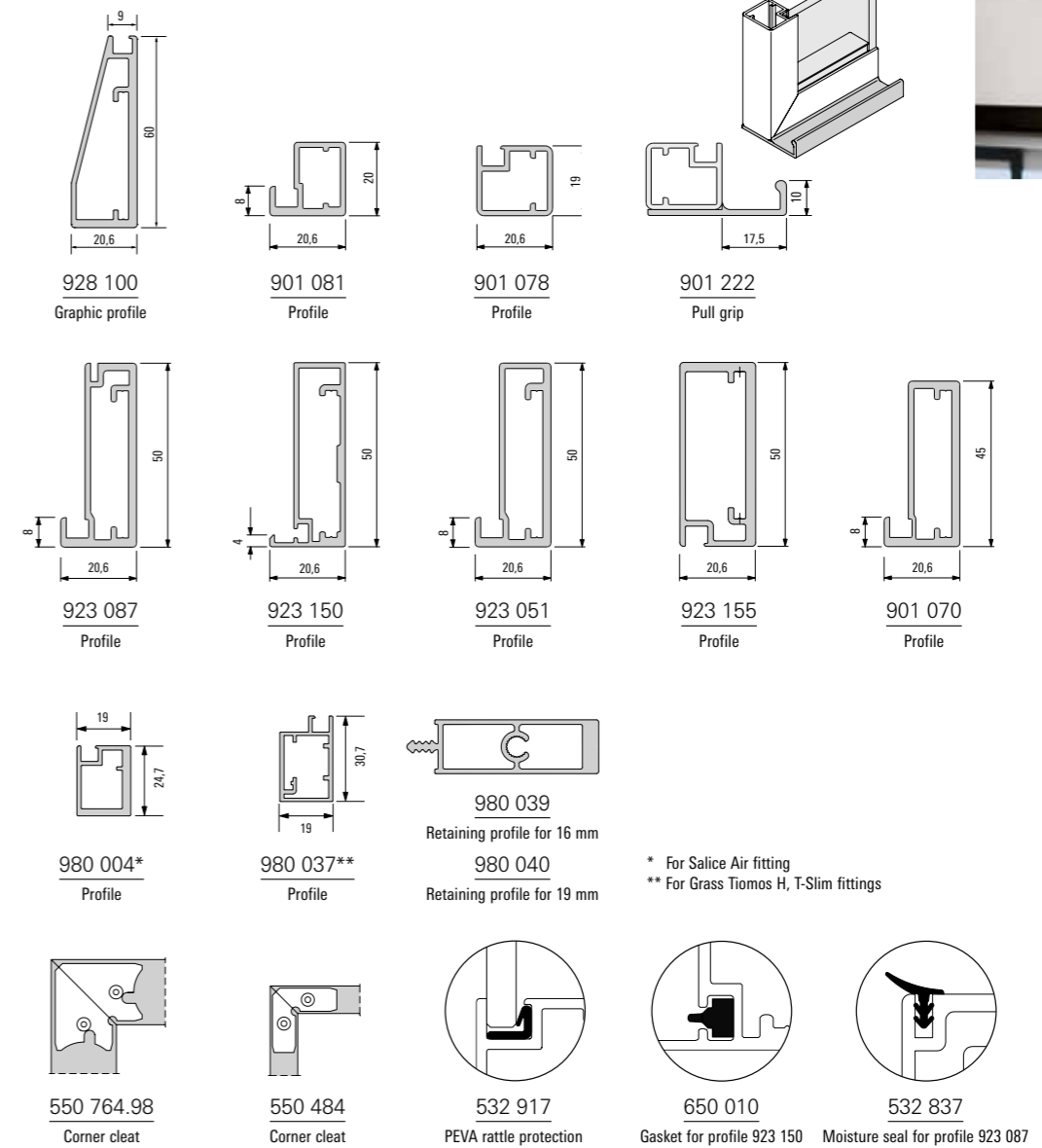
901 316 Filler profile for mounting electronic devices, 600 or 1150 mm      550 622 Fixing lug      550 617 Fixing clip      550 402 Fixing bracket      550 512 Fixing bracket      550 511 Corner chevron (135°)      551 544.30 Fixing lug

# Glass frame systems

Form meets function



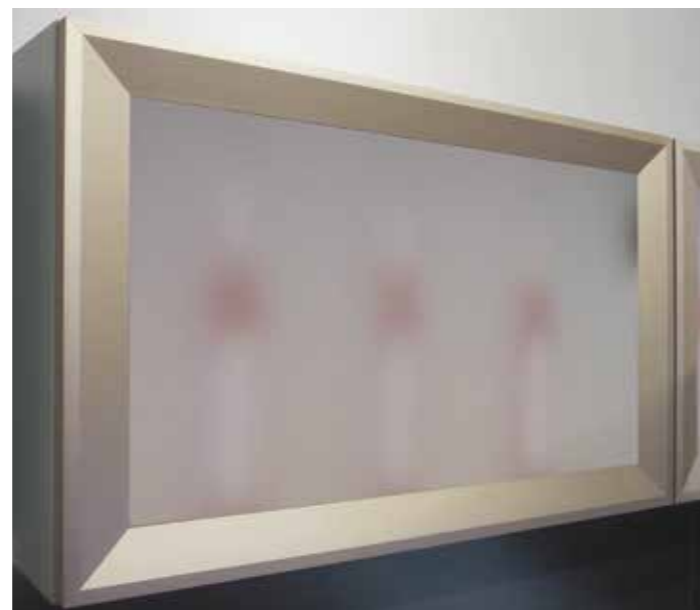
## Glass frame systems



The creative arrangement options and different surface finishes turn these glass frame systems into real design features. They add a special, elegant touch to any room, wherever and however they are arranged. Available in different profile cross-sections and surface finishes. The new retaining profile, which can be used in conjunction with the new glass frame profiles 980 004 and 980 037, makes it easier to insert the fittings without extensive carcass work.

### Benefits

- Particularly elegant look
- Different profile cross sections available
- Can be installed as a top-hung, side-hung, double or sliding door





# Glass frame profiles – bonded panes

They look as if they are floating

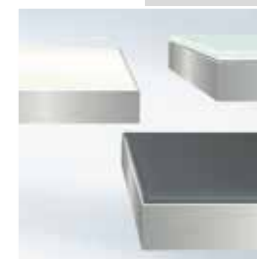
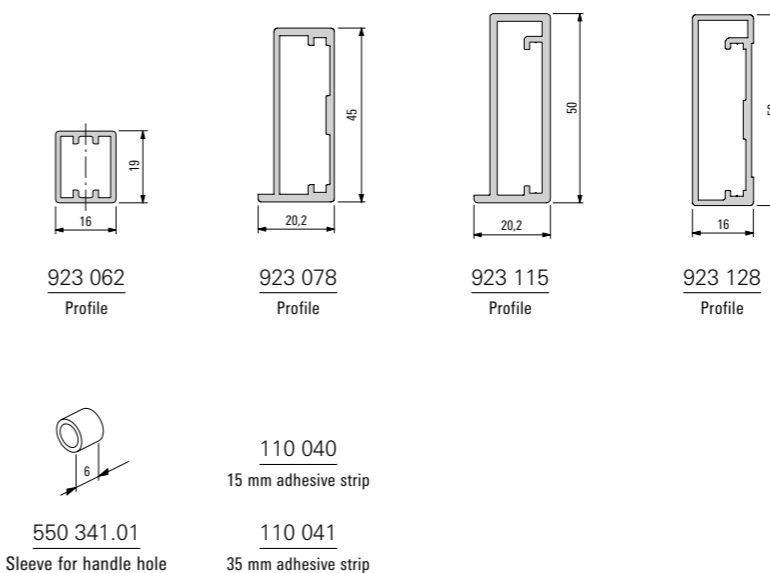
Lightness and transparency are on trend. The frame profiles for furniture fronts are perfect for this. Its bonded panes or a mount with a clear glass pane create a unit that appears to float.



**Benefits**

- Exclusive look
- Bonded glass panes provide invisible support for the frame

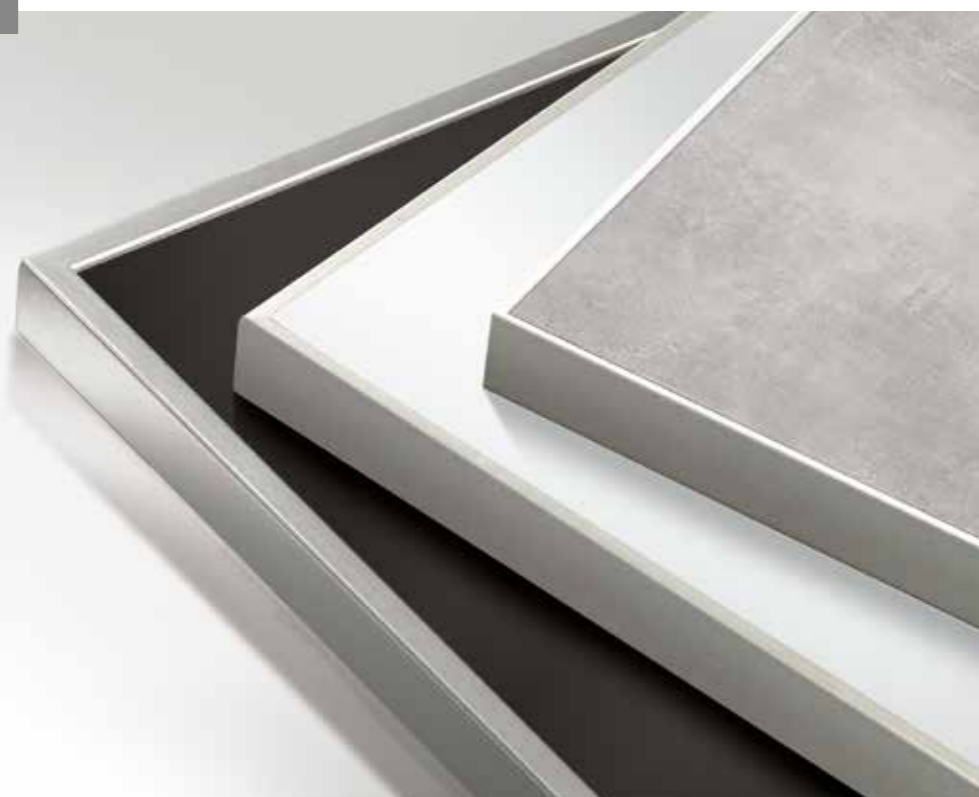
## Glass frame profiles – bonded panes



# Edge and front frame profiles

The best protection

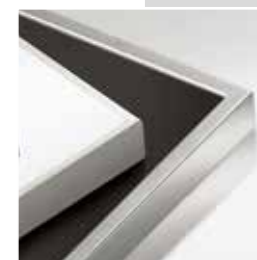
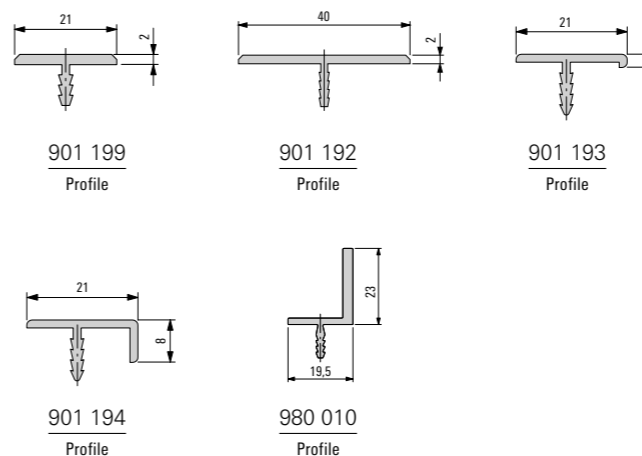
A decorative feature that protects. The design of the aluminium profiles is stylish, while their functionality is extremely practical, with high stability and concealed mitres.



**Benefits**

- Attractive edge cover
- Narrow visible surfaces

## Edge and front frame profiles



# Schüco Kreativo wall system

Creativity without limits

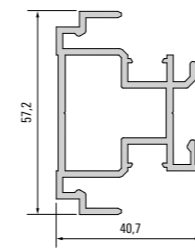
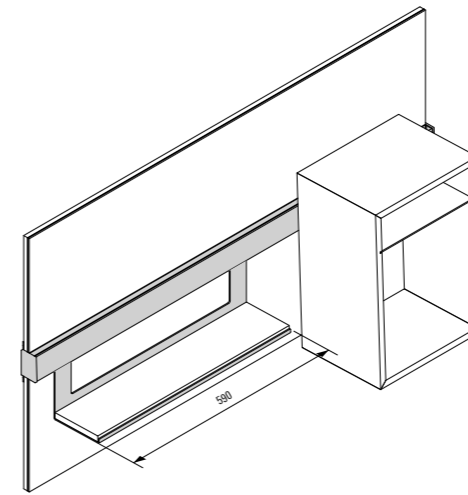


Schüco Kreativo adds a special touch of character to entire rooms, creating structure in the kitchen, living room and office alike. Depending on requirements, a wide selection of practical, attractive accessories is available.

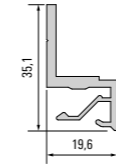
### Benefits

- Open display
- High flexibility
- Optional lighting possible

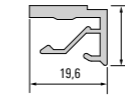
## Schüco Kreativo wall system



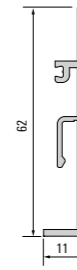
928 160  
Base support



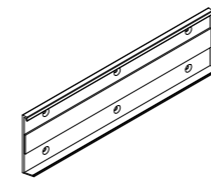
928 161  
Panel support



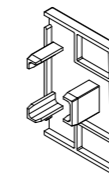
928 162  
Cover strip



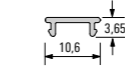
928 163  
Cover and support strip



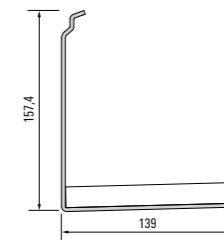
928 165.70.99  
250 mm mounting rail



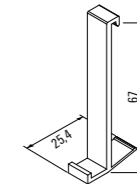
553 847.66  
End cap, left  
553 857.66  
End cap, right



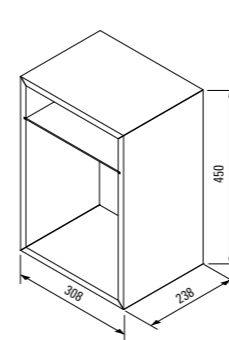
650 112  
Opal dispersing lens



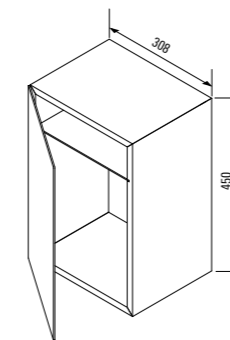
928 431  
Shelf base



928 164  
Hook



928 411  
Box, open



928 432  
Box with door





# Midway system 16

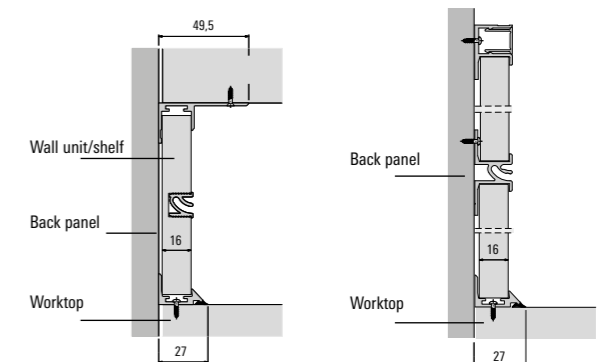
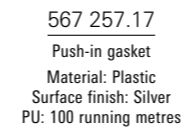
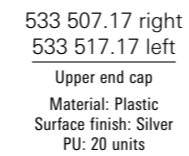
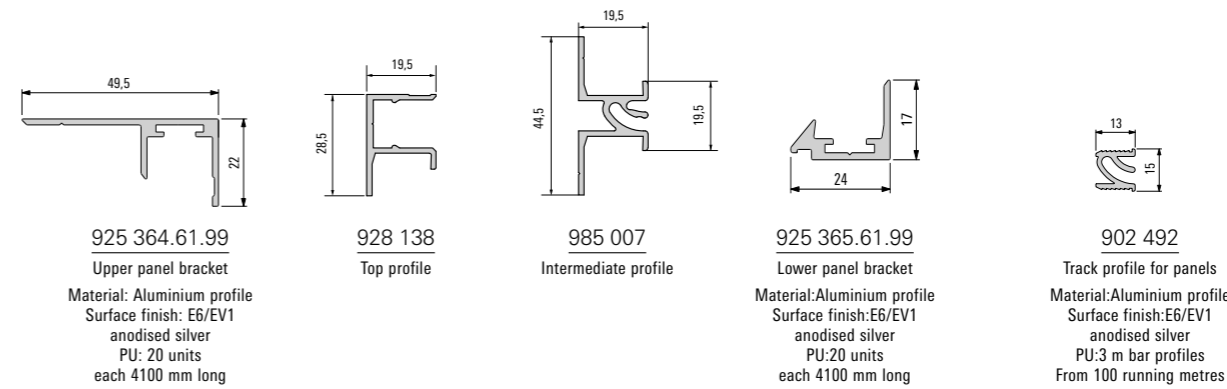
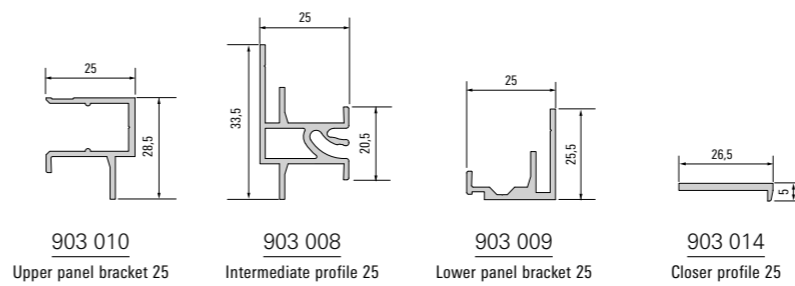
Cast from the same mould



The midway system 16 is ideally suited to usage in classic recessed areas. It creates a clean transition to the worktop and can also be used as practical wall cladding. It can hold all manner of utensils. With its elegant appearance, the midway system blends in with any room design.



# Midway system 16



### Benefits

- Smooth transitions between worktop and wall cladding
- Durable even under extreme conditions
- Seals prevent moisture ingress
- Simple installation without drilling holes in the wall
- Use of 16 mm thick panels
- Versatile accessories available



# Midway system 4-18

A real "all-rounder"



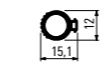
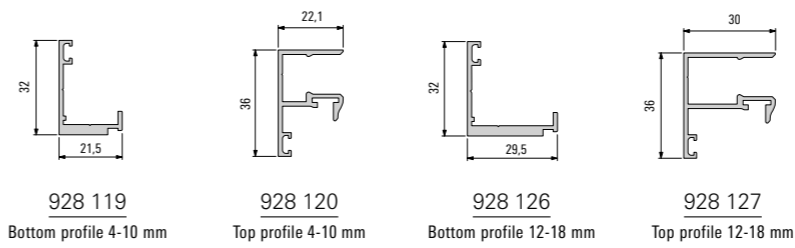
With the midway system 4-18, the rear wall is also incorporated in the overall room design. A choice of timber or glass infills with a material thickness of up to 18 mm can be used. The available LED lighting creates more atmosphere. The range of different accessories are practical additions.



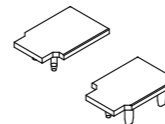
### Benefits

- For material thicknesses from 4 to 18 mm
- LED lighting possible
- Can be used as midway cladding and wall panels
- Versatile accessories available

## Midway system 4-18



552 307  
Rebate gasket

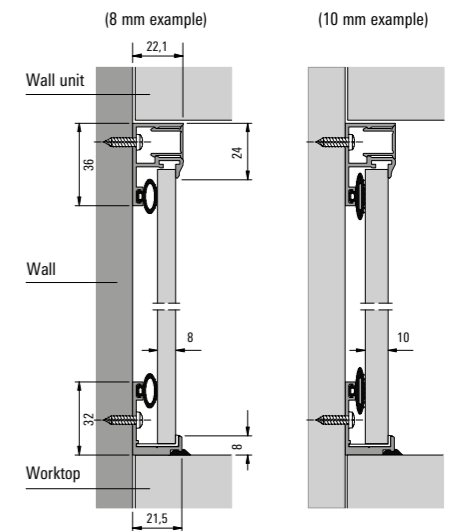


530 017  
End caps, left  
530 027  
End caps, right



650 101  
Edge protection  
567 257.17  
Push-in gasket  
Material: Plastic  
Surface finish: Silver  
PU: 100 running metres

### Niche mounting



# Panel system

Multitalented



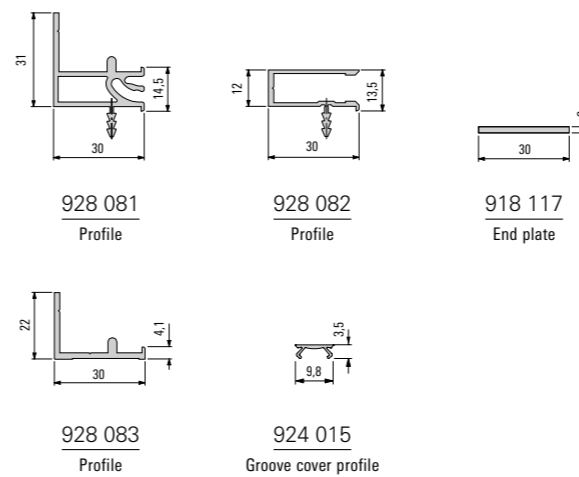
The panel system meets many different requirements for individual use, and its attractive appearance always enhances different living spaces. The accessories can be used in a number of different ways and can hold heavy objects too.



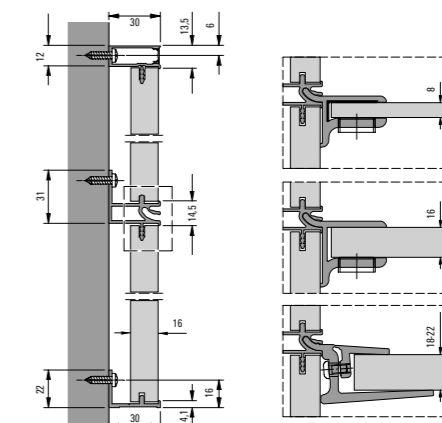
### Benefits

- Panels from 16 - 21 mm can be used
- A number of usage options in the living and working environment
- Easy to install without special tools
- Versatile accessories

## Panel system



### Wall-mounted installation





# Schüco Groove hanging rail

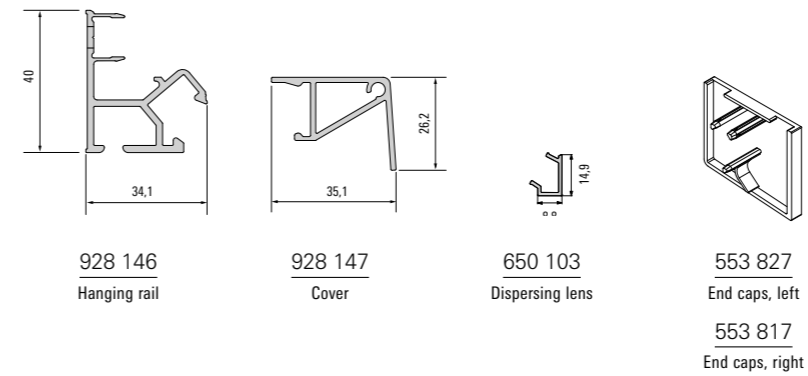
The perfect storage for everything



The Schüco Groove hanging rail is at the heart of the versatile accessories. With its discreet look, it can hold any item you need to grab quickly. The lighting above gives it a pleasant radiance.



## Schüco Groove hanging rail



### Benefits

- Elegant design
- LED strip adds attractive lighting accents
- Works perfectly with the Schüco Groove wall attachment profile
- Versatile accessories available



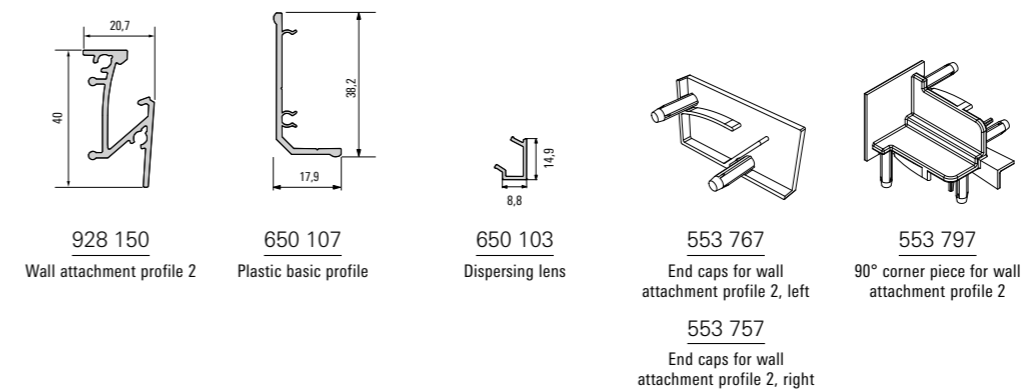
# Schüco Groove wall attachment profile

Smooth transitions

The Schüco Groove closer profile creates an attractive connection between the rear wall and worktop. The lighting adds additional drama.



## Schüco Groove wall attachment profile



### Benefits

- Stylish design feature for any kitchen
- Integrated LED lighting
- Can be installed on the wall or worktop



# Accessories for midway and wall systems

We've thought of everything



## Accessories for midway and wall systems

**928 129**  
Linero system rail  
Dimensions: 22,8 x 18,3

**928 058**  
Linero function strip  
Dimensions: 19,6 x 31,5

**928 130**  
Lighting profile  
Dimensions: 22,8 x 18,3

**928 128**  
Corner profile  
Dimensions: 18,5 x 30,5 x 30,5

**650 103**  
Dispersing lens  
Dimensions: 14,9 x 8,8

**928 121**  
Cover profile  
Dimensions: 14,8 x 13,7

**908 150**  
End plates, flat profile, 20 x 2 mm

**980 022**  
End plates, flat profile, 22 x 2 mm

**918 117**  
End plates, flat profile, 30 x 2 mm

**928 069.70.99**  
Bracket for timber base 18-22 mm  
Dimensions: 40 x 40

**902 605.61.99**  
Bracket for timber base 16 mm  
Dimensions: 40 x 40

**902 625.61.99**  
Bracket for glass base 8 mm  
Dimensions: 40 x 40

**902 150**  
Mounting profile for panel bolt  
Dimensions: 31,25 x 13,2

**902 181**  
Support profile for 16 mm base  
Dimensions: 44,3 x 45,1

**903 011**  
Base support profile 25 mm  
Dimensions: 53,3 x 45,1



**928 091.73.99**  
300 mm mounting rail with clamping lug  
Dimensions: 300

**902 622.00.99**  
Base support

**902 273.70.99**  
Attachment hook

**902 149.73.99**  
300 mm mounting rail without clamping lug  
Dimensions: 300

Where do you put all those kitchen utensils? This will no longer be an issue thanks to our range of accessories which covers everything – from knife block and roll holder through to hook rail, and much more.

- Benefits**
- Perfectly tailored to the Schüco Groove hanging rail and the midway systems
  - Varied range to meet any requirement
  - High quality and stability
  - Accessories suitable for the Linero holding rail



**928 407**  
Roller holder

**553 720**  
Hanging rail

**553 790**  
Universal mount

**928 406**  
Knife block

**553 740**  
Hook rail

**553 710**  
Hanging rail, closed

**553 780**  
Universal mount, closed

**928 405**  
Knife block, closed

**553 730**  
Hook rail, closed



# Schüco Spaceline drawer organiser

The joy of organisation

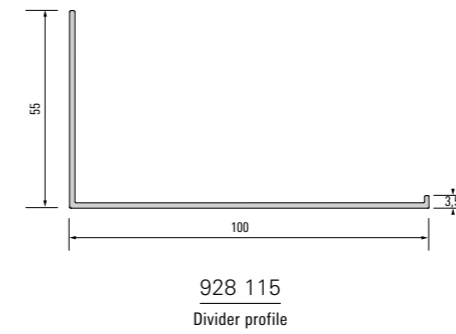


Huge impact with little effort. Schüco Spaceline organises drawers in a number of different ways with just a few individual components. You can quickly put together large compartments, small compartments, and combinations thereof in any way you like.

56



## Schüco Spaceline drawer organiser



### Benefits

- Just a few components can fully equip the drawers
- Flexible layout
- High-quality combination of materials



300 mm



600 mm



1200 mm



57



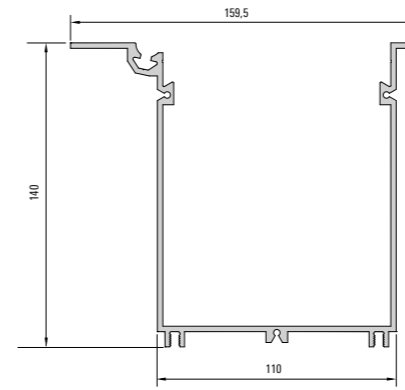
# Schüco Tara storage recess

Two in one

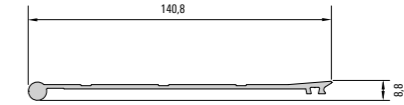
It's what's inside that counts



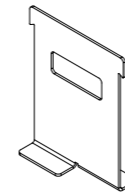
## Schüco Tara storage recess



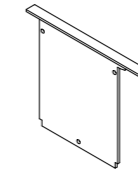
928 151  
Trough



928 152  
Cover



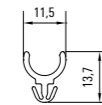
553 850  
Partition wall



928 416  
End bracket



566 787  
Gasket cord  $\varnothing$  4.0 mm



650 111  
Bracket



The first benefit: Schüco Tara stores all the kitchen utensils that need to be stowed away. The second benefit: It is fully integrated in the work surface, taking up no space.

### Benefits

- More storage space
- High functionality
- Easy to install
- Easy to retrofit



553 802  
Worktop tray



928 410  
Bottle holder



# Lighting profile

## Highlight

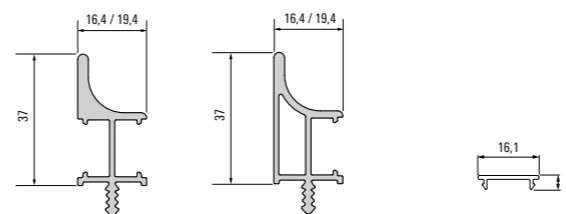
We all know that light gives each room a special ambience. Indirect lighting creates a comfortable, warm environment, making a kitchen look homely or providing functional lighting when placed correctly. The lighting profiles can be positioned both in the wall unit and in a recess.

### Benefits

- Discreet design
- Functional and ambient lighting



## Lighting profile



928 143  
Profile for 16 mm

928 145  
Profile for 16 mm

650 108  
Dispersing lens, clear

928 142  
Profile for 19 mm

928 144  
Profile for 19 mm

650 109  
Opal dispersing lens



# CD and DVD rack

## Practical, quick and easy

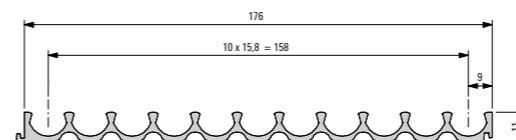
You can quickly and easily organise and find the CD or DVD you're looking for. The racks can be expanded as required and integrated in any furniture system.

### Benefits

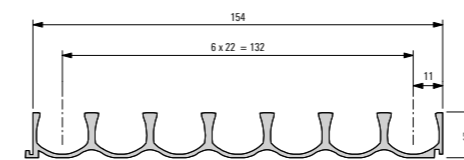
- Easy organisation of your CDs and DVDs
- Can be integrated in any furniture system
- Can be expanded as required



## CD and DVD rack



902 519  
CD rack for 11 CDs



902 563  
DVD rack for 7 DVDs



# Connecting profiles for worktops

Chic and neat

Aluminium connecting profiles are the perfect solution for small offsets at an intersection between two rounded worktops. This eliminates the need for mitred and shaped cuts.

**Benefits**

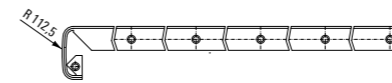
- Clean connections at corner joins
- No need for mitre cuts
- Can be used on the right and left



## Connecting profiles for worktops



910 200  
Profile cross-section  
for finished components



901 843  
Length: 601 mm



# Carcase corner cleat profiles

Perfectly concealed

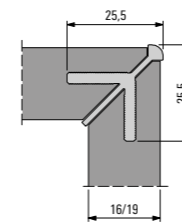
Want that perfect finish for your mitred edges? Look no further – carcase corner cleat profiles can fill this gap and provide an additional design feature.

**Benefits**

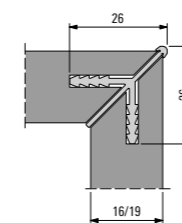
- Function meets elegant design
- Streamlined design



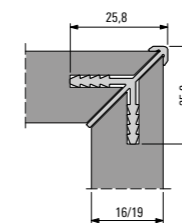
## Carcase corner cleat profiles



902 288  
Profile for 19 mm



921 012  
Profile for 16 mm



921 013  
Profile for 16 mm

921 014  
Profile for 19 mm

921 015  
Profile for 19 mm





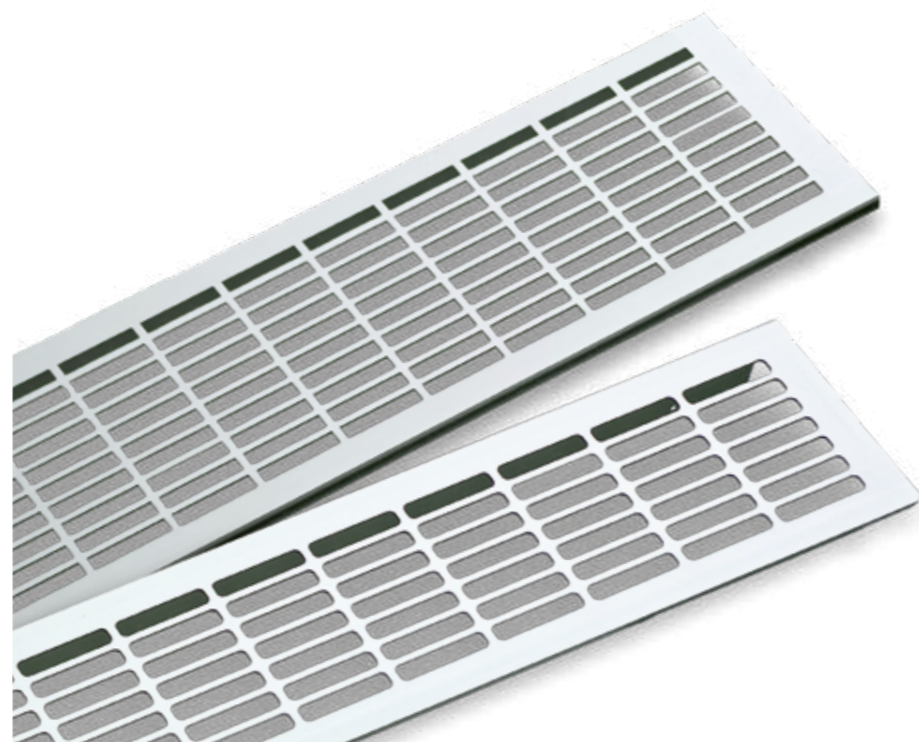
# Ventilation grille

Well ventilated – always

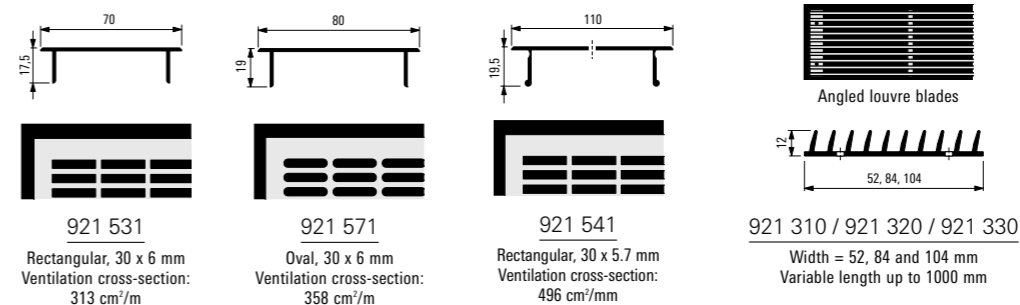
In addition to meeting technical and functional requirements, the ventilation grilles feature an attractive design, and are robust and easy to clean.

### Benefits

- Can be adapted to suit any furniture design
- High-quality, robust, easy-care material
- Easy to install and dismantle



## Ventilation grille



# Roller shutter systems

Rolling on quietly

As it should be – silent, easy and technically perfect – these roller shutter systems meet all your needs. Up and down, horizontally and vertically. They also look great to boot!

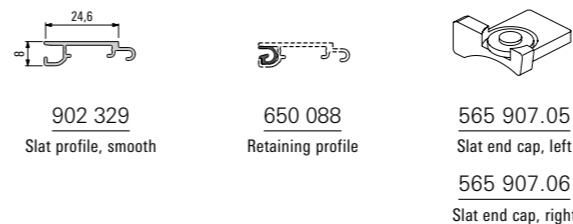
### Benefits

- Smooth operation
- Horizontal and vertical installation possible

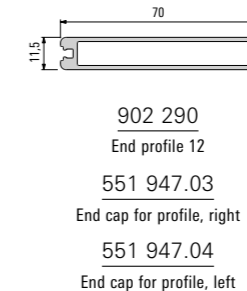


## Roller shutter systems

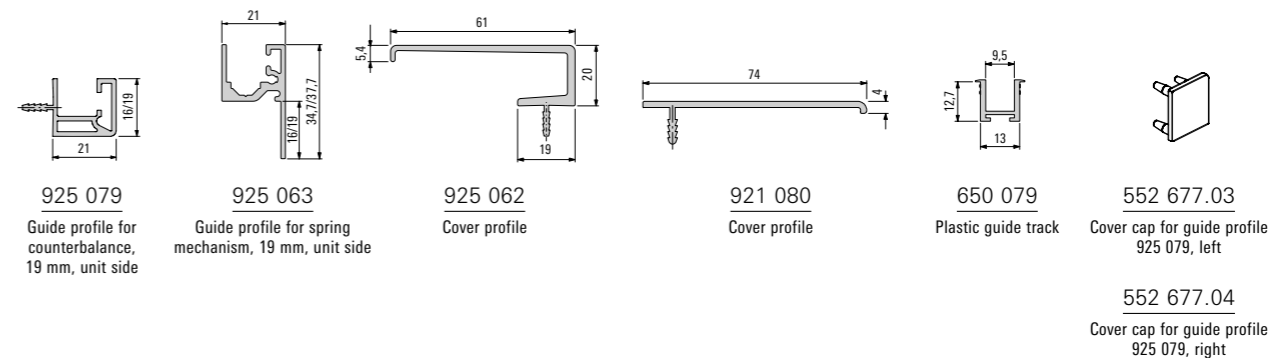
### Shutter design



### End profile



### Unit accessories



# Notes

Your area sales manager will be happy to give you more information about stock availability, sizes, purchase quantities etc. Many of our collection articles, colours and sizes can be produced for you on an order-specific basis. We will be happy to advise you about minimum order quantities, delivery times and available stock.

P4507/EN/05.21/Printed in Germany  
We reserve the right to make changes and to correct errors.  
Products may differ from illustrations.

The "Schüco" logo and other logos are protected in Germany and various international markets. Detailed information is available on request.



# Changing living spaces



Schüco Alu Competence supplies a range of room design and furniture systems which meet all the requirements for openness, transparency and multifunctionality, while following the latest living and style trends. Sophisticated product concepts are the perfect foundation for dissolving space limitations, furnishing rooms and allowing new spaces to merge. The systems can be combined and expanded in any way you like. The range also features an extensive choice of accessories for all types of application in various living environments.

## **70 years of Schüco – System solutions for windows, doors and façades**

Based in Bielefeld, the Schüco Group develops and sells system solutions for windows, doors and façades. With 5650 employees worldwide, the company strives to be the industry leader in terms of technology and service both now and in the future. In addition to innovative products for residential and commercial buildings, the building envelope specialist offers consultation and digital solutions for all phases of a building project – from the initial idea through to design, fabrication and installation. Schüco works with 12,000 architectural practices, fabricators and construction professionals who commission buildings around the world. Founded in 1951, the company is now active in more than 80 countries and achieved a turnover of 1.750 billion euros in 2019. For more information, visit [www.schueco.com](http://www.schueco.com)

**SCHÜCO** | ALU COMPETENCE  
design & solutions

### **Schüco International KG**

In der Lake 2, D-33829 Borgholzhausen, Tel. +49 5425 12-0, Fax +49 5425 12-236  
[alu-competence@schueco.com](mailto:alu-competence@schueco.com), [www.schueco.com/alu-competence](http://www.schueco.com/alu-competence)